

# DM2040

## Indoor Dome



The DM2040 is a robust, cost effective dome solution designed for the indoor environment. Quick and simple to install, the DM2040 provides a cost effective "complete-off-the-shelf" product with an easy to navigate menu structure that retains the look and feel of the DM2060.

As with the DM2060, the 2040 indoor dome utilises the robust coax and serial communications interface providing compatibility with a wide range of telemetry controllers and increased functionality with the Dedicated Micros range of DVRs.

### functionality:

- Intuitive menu structure for easy installation
- 100 preset positions and 50 tour facilities
- Optimised compatibility with Dedicated Micros controllers
- Coax & RS485 control (built-in BBV and Baxall protocols)
- 24 Privacy Zones (8 displayed at one time)
- Camera movement from 0,05-300°/sec, 360° continuous pan rotation

### features

- OPTICALLY CORRECT IMPACT RESISTANT HEMISPHERE
- 2 YEAR WARRANTY
- ROBUST DIE-CAST INTERNAL MECHANISM
- 18x & (26x AVAILABLE Q3 2005) OPTICAL ZOOM WITH 4X DIGITAL ZOOM
- LIFT & GAIN ADJUSTMENTS
- COLOUR/MONO VIEWING CAPABILITY
- INNOVATIVE QUICK RELEASE MECHANISM
- COMPATIBLE WITH DM/2060 BRACKETRY
- TILE MOUNT AVAILABLE

# DM2040 Indoor Dome

## Camera

	<b>DM2040 - 18x</b>	<b>DM2040 - 26x</b>
Colour/mono	Yes	Yes
Optical zoom	18X	26X
CCD	1/4"	1/4"
Lens	4.1 to 73.8 mm	3.5 to 91mm
Angle of view	48° at 4.1mm, 2.8° at 73.8mm	54.2° at 3.5mm, 2.2° at 91mm
Sensitivity	0.7 Lux, 0.01Lux	1 Lux, 0.03 Lux
Signal Format	NTSC/PAL	NTSC/PAL
Resolution	NTSC – 470TVL	NTSC – 470TVL
	PAL – 460 TVL	PAL – 460 TVL
Iris Control	Auto/manual	Auto/manual
IR Filter	Auto/manual	Auto/manual
Image stabilisation	N/A	Optional

## Mechanical

	<b>DM2040 - 18x</b>	<b>DM2040 - 26x</b>
Enclosure	Attractively styled die-cast Polycarbonate	
Dimensions	Hemisphere ø150mm x 220mm (overall height)	
Weight	1.5kg	1.5kg
Pan movement	360 degrees continuous	360 degrees continuous
Pan speed	0.5 to 300 deg per sec	0.5 to 300 deg per sec
Tilt speed	0.5 to 200 deg per sec	0.5 to 200 deg per sec

## Enviromental

	<b>DM2040 - 18x</b>	<b>DM2040 - 26x</b>
Temperature range	-10° to +50° C	-10° to +50° C

## General

	<b>DM2040 - 18x</b>	<b>DM2040 - 26x</b>
Power	20 Watts	20 Watts
Voltage	110VAC, 60Hz - 230VAC, 50Hz	
Presets	100	100
Preset titles	20 characters	20 characters
Privacy zones	24 (8 dynamic)	24 (8 dynamic)
Auto home	Yes	Yes
Surge Protection	Video/data/power	Video/data/power

# DM2040 Indoor Dome Accessories

## Product Codes

All variants 24VAC for RS485, BBV & Baxall "up-the-coax" control (unless specified otherwise)

DESCRIPTION	PRODUCT CODES	PSU
18X Colour/Mono	DM/2040-204	PSU Not included
	DM/2040-204N	
	DM/2040-204E	
18X Colour/Mono (Tile Mount)	DM/2040-206	
	DM/2040-206N	
	DM/2040-206E	
26X Colour/Mono	DM/2040-203	
	DM/2040-203N	
	DM/2040-203E	
26X Colour/Mono (Tile Mount)	DM/2040-205	
	DM/2040-205N	
	DM/2040-205E	

NB: NTSC also available

## Multi-Language Options

WESTERN (STANDARD)	NORTHERN (N)	EASTERN (E)
ENGLISH	ENGLISH	ENGLISH
SPANISH	GERMAN	POLISH
DUTCH	SWEDISH	CZECH
ITALIAN	DANISH	CROATIAN
FRENCH	FINNISH	-

## Optional Accessories

### POWER SUPPLY UNIT

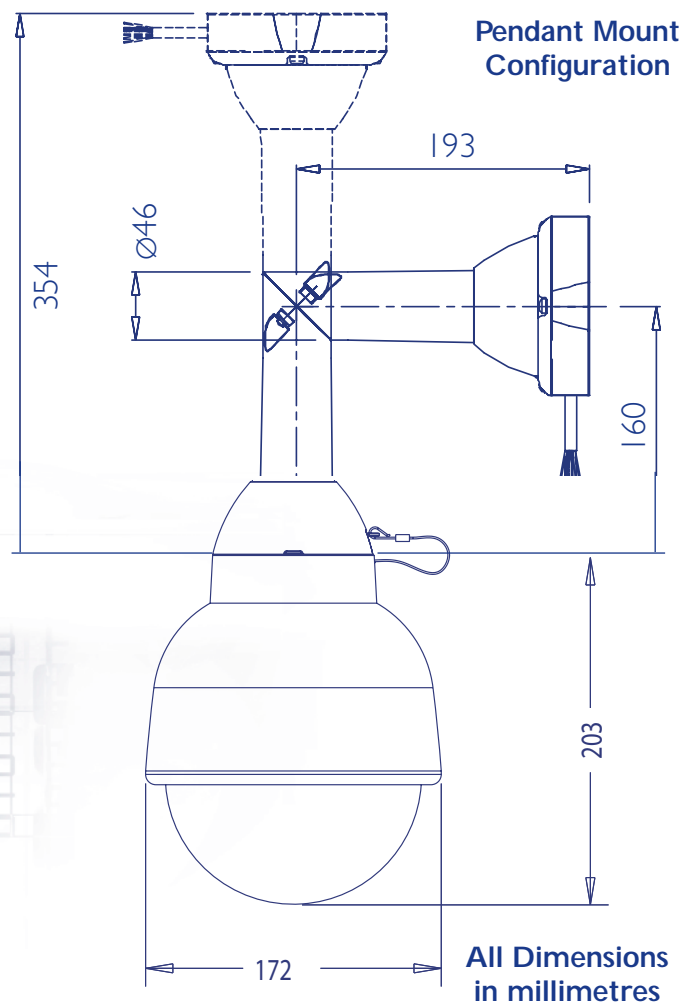
- Product Code DM/94012 (UK)
- Product Code DM/94013 (Europe)

### PROTOCOL CONVERTERS

- Product Code DM/DRX100

### ALARM CARD

- Product Code DM/AL008 enabling up to 64 local alarms



# DM2040 Indoor Dome Accessories



1. DM/90002



2. DM/90003



3. DM/90004



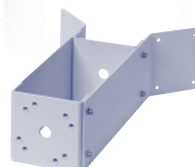
4. DM/90005



5. DM/90006



6. DM/90007



7. DM/90008



8. DM/90009

NO	PRODUCT CODE	DIMENSIONS	DESCRIPTION
1	DM/90002	H354xØ46mm; H160x193mm	Wall/Pendant Mount
2	DM/90003 DM/90012 DM/90013	H250-Ø44.5mm H500-Ø44.5mm H1000-Ø44.5mm	Pendant Mount
3	DM/90004	H900xW300mm	Snowdrop Mount
4	DM/90005		Vintage style wall mount for 2055 Dome
5	DM/90006	Ø240xØ80mm	Ceiling Mount Plate
6	DM/90007	H126xW126x D80mm	Corner Bracket to convert existing wall bracket
7	DM/90008	H126xW176x D300mm	Extended Corner Bracket
8	DM/90009	L600xH190mm	Extended Wall Mount

PLEASE CHECK THE WEBSITE FOR LATEST DEVELOPMENTS

FOR FURTHER INFORMATION PLEASE CONTACT

**Dedicated Micros UK**

11 Oak Street, Swinton, Manchester, M27 4FL, UK Tel: +44 (0) 161 727 3200 Fax: +44 (0) 161 727 3300.

**Dennard UK**

Tel: +44 (0)1252 614884 Fax: +44 (0)1252 626013 e-mail: sales@dennard-cctv.com

**Dedicated Micros USA**

14434 Albemarle Point Place, Suite 100, Chantilly, Virginia 20151 USA Freephone: 800 864 7539  
Tel: +1 703 904-7738 Fax: +1 703 904-7743 and 23456 Hawthorne Blvd. Suite 100, Torrance, CA 90505,  
Tel: +1 310 791-8666 Fax: +1 310 791-9877.

**Dedicated Micros Europe**

Neckarstraße 15, 41836 Hückelhoven, Germany Tel: +49 243 352 580 Fax: +49 24 33 52 58 10  
e-mail: infobox@dmicros.com

**Dedicated Micros Belgium**

Joseph Chantraineplantsoen 1, 3070 Kortenberg, Belgium Tel: +32 2751 3480, Fax: +32 2751 3481  
e-mail: dmbenelux@dmicros.com

**Dedicated Micros Ltd. Slovenia**

Delavska cesta 26, 4208 Sencur-Slovenija Tel: +386 (4) 279 18 90, Fax: +386 (4) 279 18 91  
e-mail: dmslovenia@dmicros.com

**Dedicated Micros France**

9-13 rue du Moulinet, 75013 Paris, France Tel: +33 1 45 81 99 99, Fax: +33 1 45 81 99 89.  
e-mail: dmfrance@dmicros.com

**Dedicated Micros Asia**

16 New Industrial Road, #03-03 Hudson Techno Centre, Singapore 536204 Tel: +65 62858982 Fax: +65 62858646.

**Dedicated Micros Australia**

5/3 Packard Avenue, Castle Hill, NSW 2154, Australia Tel: +612 9634 4211 Fax: +612 9634 4811.

**Dedicated Micros Malta**

UB 2, San Gwann Ind. Est., San Gwann, Malta Tel: +356 21483 673 Fax: +356 21449 170.

**Dedicated Micros Middle East**

Building 12, Suite 302, P.O.Box 500291, Dubai Internet City, Dubai, United Arab Emirates  
Tel: +971 (4) 390 1015, Fax: +971 (4) 390 8655.

The manufacturer reserves the right to change the specification without notice.

All trademarks are courtesy of registered owners.  
DM is a trademark of Dedicated Microcomputers Group Ltd.  
REF: DM01/05



**DEDICATED MICROS**

[www.dedicatedmicros.com](http://www.dedicatedmicros.com)